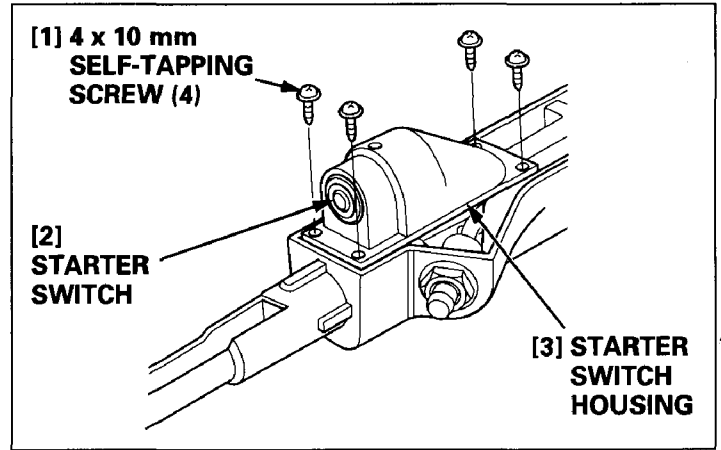
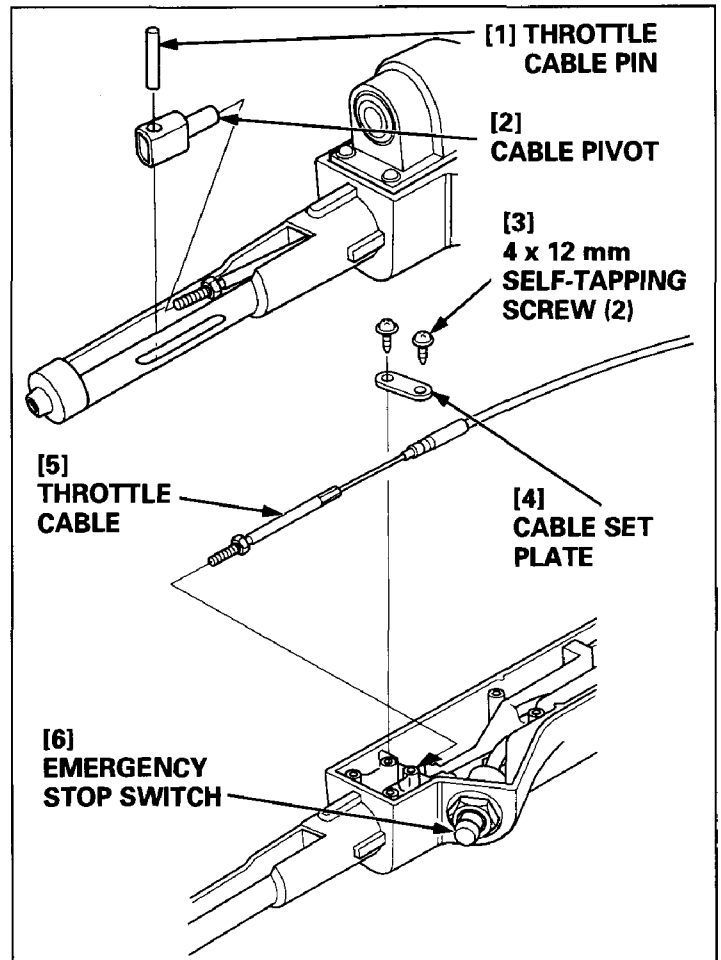


- 4) Remove the four 4 x 10 mm self-tapping screws and lift up the starter switch housing with the starter switch attached (Type with electric starter).
- See page 15-6 for the starter switch replacement.



- 5) Remove the throttle cable pin from the cable pivot.
- 6) Loosen the lock nut and remove the throttle cable pivot.
- 7) Remove the two 4 x 12 mm self-tapping screws and cable set plate.
- See page 15-7 for the emergency stop switch replacement.



- 8) Remove the spiral wire protector, then pull out the throttle cable and switch wires taking care not to damage the switch wires.
- 9) Remove the 8 mm self-locking nut and 8 mm washer. Remove the handle pivot bolt and separate the tiller handle bracket.

Remove the connector stay (Type with 6 A charge coil).

