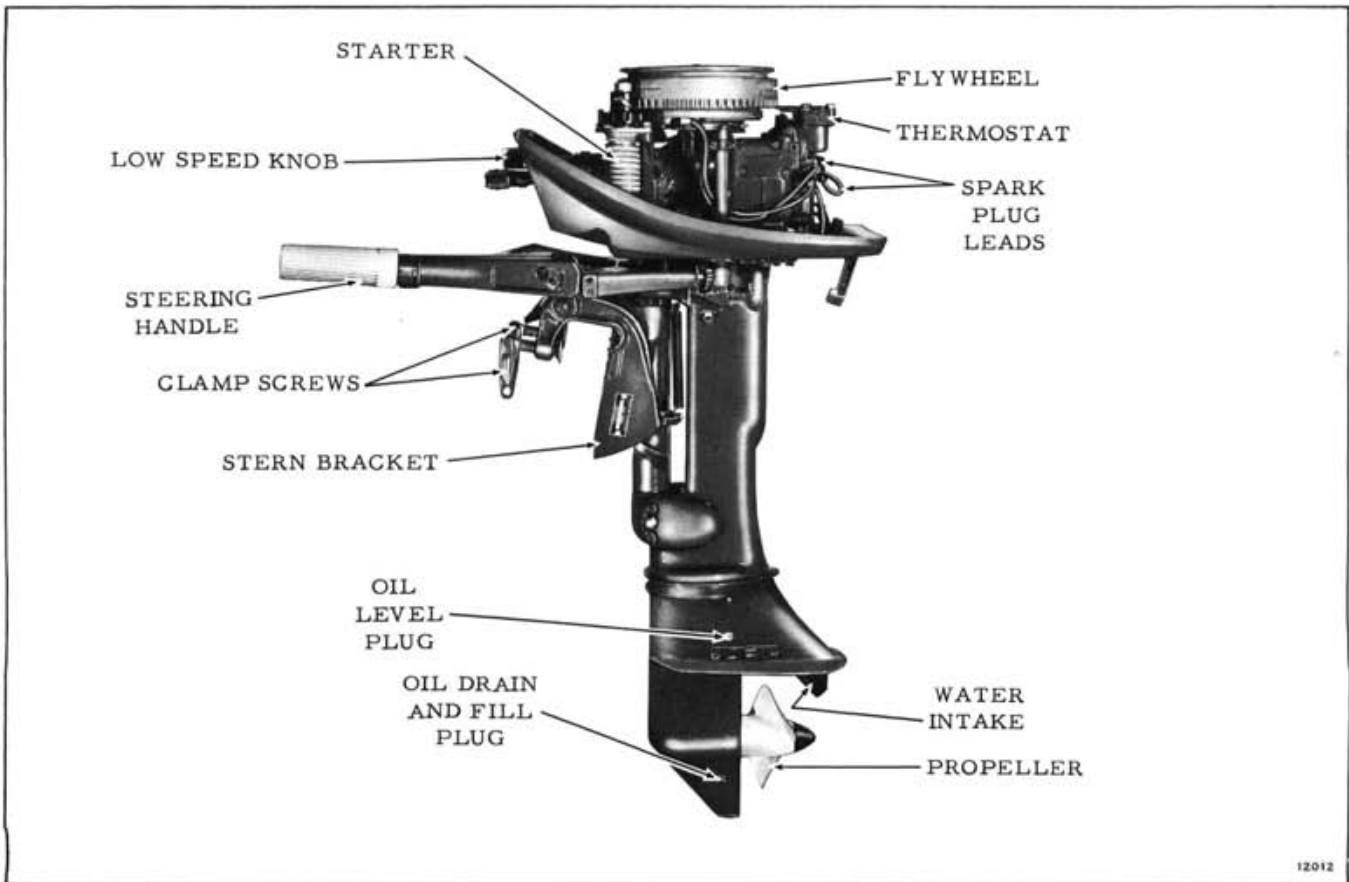


12011

Figure 1-1. Starboard Side



12012

Figure 1-2. Port Side