

Figure 1-1. Starboard Side

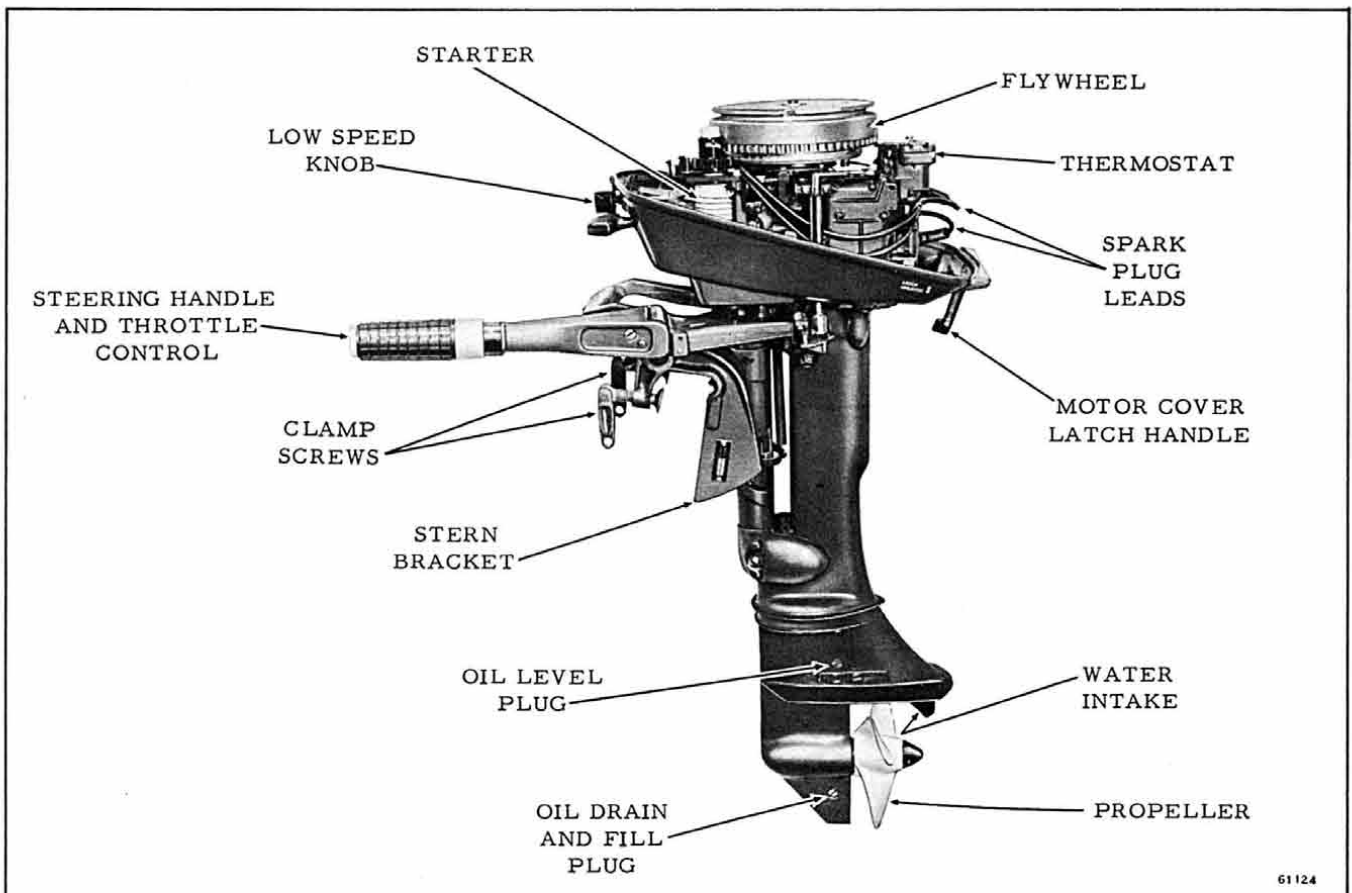


Figure 1-2. Port Side