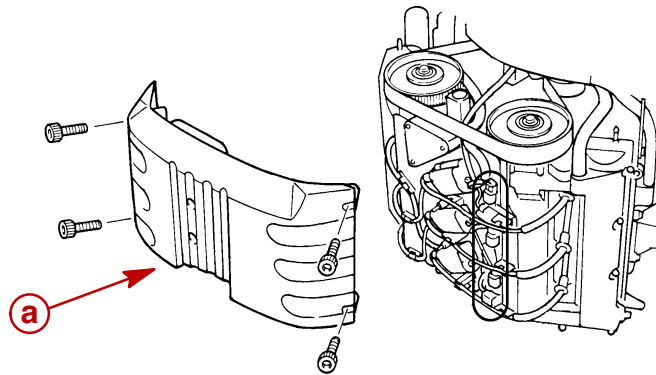




Spark Plug Inspection

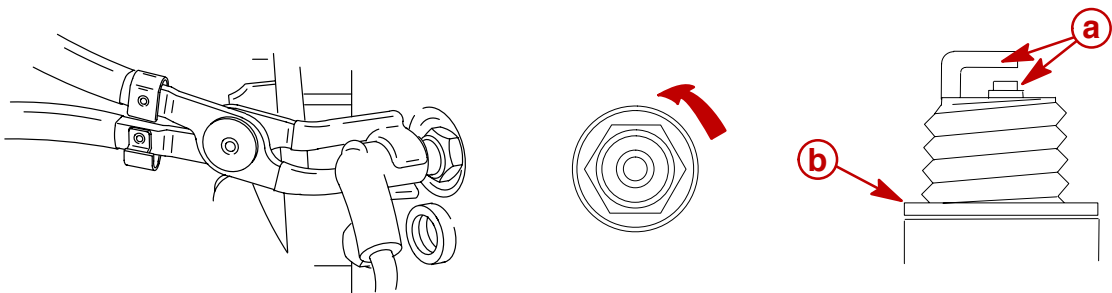
Inspect spark plugs at the recommended intervals (See Specifications).

1. Remove the ignition coil cover.



a - Ignition Coil Cover

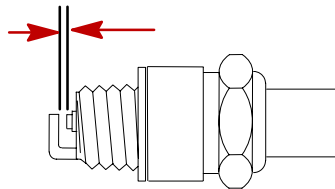
2. Disconnect the spark plug wires and remove the spark plugs.
3. Clean the electrodes with a spark plug cleaner or wire brush. Check the electrodes for erosion, excessive carbon or other deposits, and the gasket for damage. Replace spark plug if necessary.



a - Electrodes

b - Gasket

4. Check the spark plug gap. Adjust if out of specification - 1.1 mm (0.043 in.).



5. Before reinstalling spark plugs, clean away dirt on the spark plug seats. Install plugs finger tight, and tighten 1/4 turn or torque to 25 Nm (18 lb-ft).

