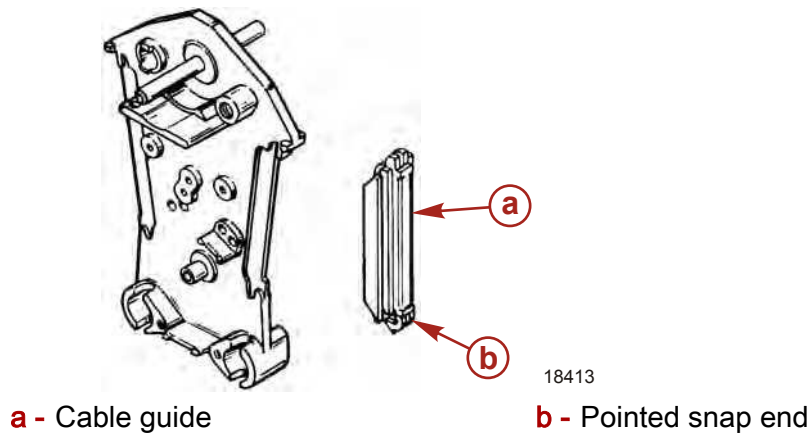



19. Lubricate the grooves of the cable guide with 2-4-C with Teflon.

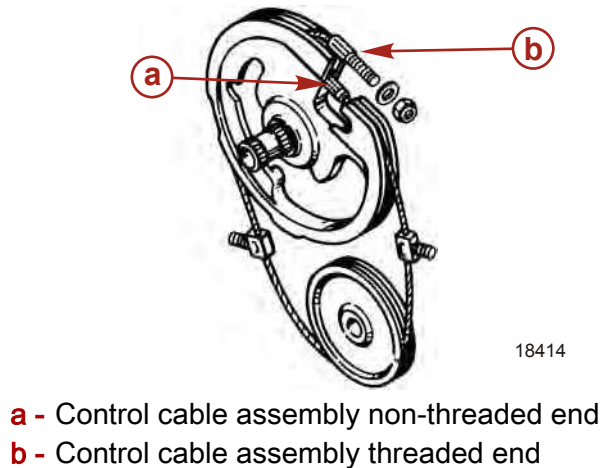


Tube Ref No.	Description	Where Used	Part No.
 95	2-4-C with Teflon	Cable guide grooves	92-802859A1

20. Install the control cable assembly non-threaded end into the opening in the control arm disc.

21. Route the control cable assembly around the lower cable pulley groove, and around the control arm disc.

22. Install the threaded end of the control cable assembly onto the groove of the control arm disc. Do not tighten the control cable assembly nut.



23. Ensure the control cable assembly studs are in the cable guide grooves.