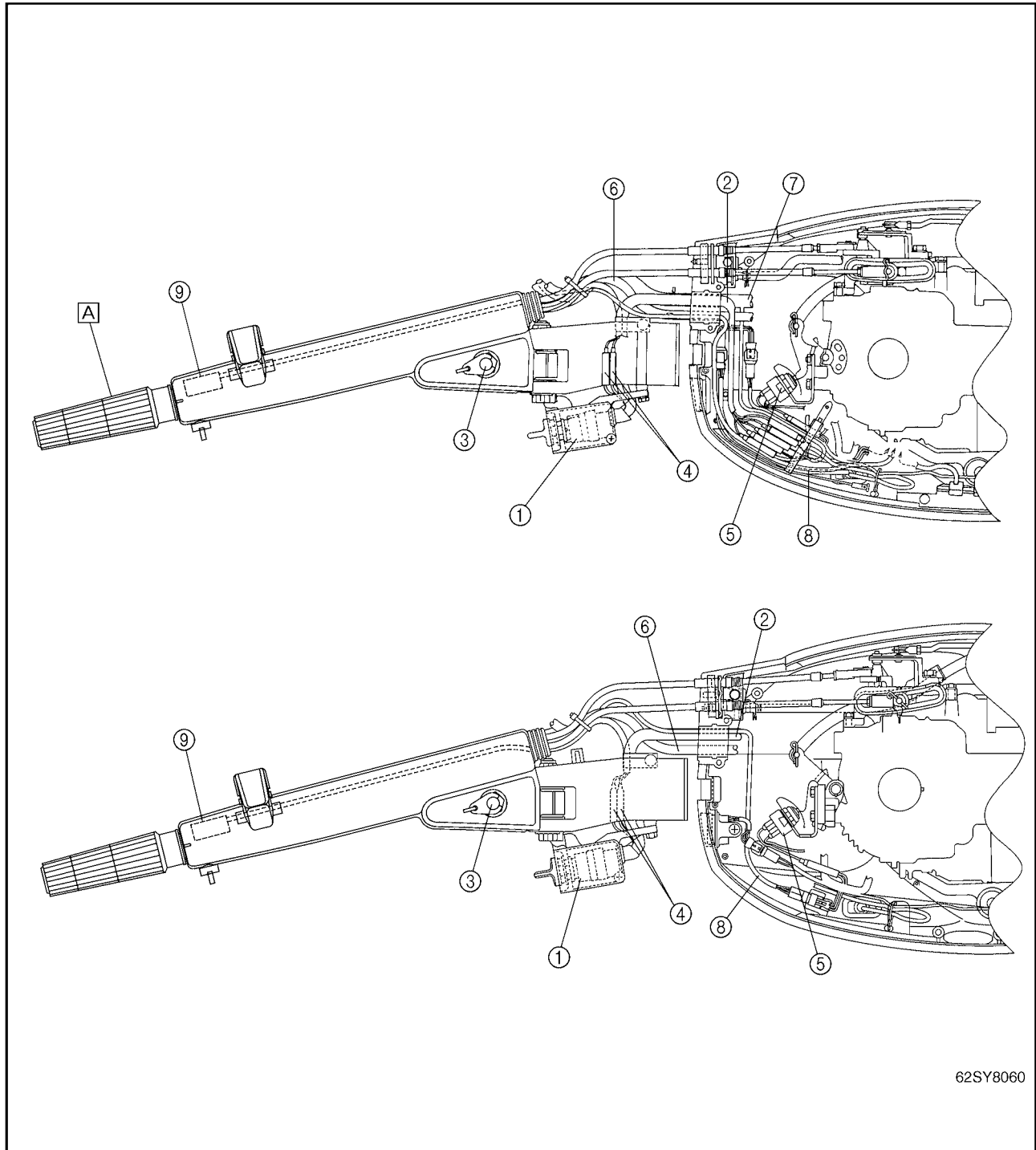


Tiller handle model (F50/F50A, T50/FT50B)



62SY8060

- ① Engine start switch
- ② Engine start switch harness
- ③ Engine shut-off switch
- ④ Engine shut-off switch connector
- ⑤ Neutral switch
- ⑥ Battery lead
- ⑦ Wiring harness extension
- ⑧ PTT switch lead
- ⑨ Power trim and tilt switch

Ⓐ Applicable for tachometer, trim meter or warning buzzer model