

# LUBRICATION POINTS

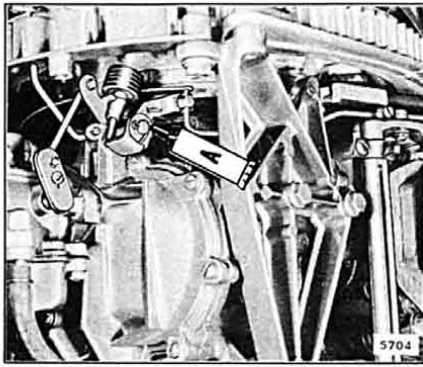


Figure 2-3. Cam Follower Linkage and Locking Lever

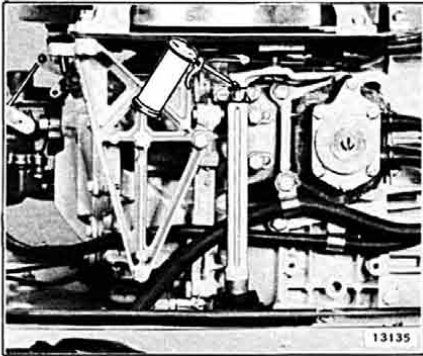


Figure 2-4. Throttle Shaft Bearing and Magneto Linkage

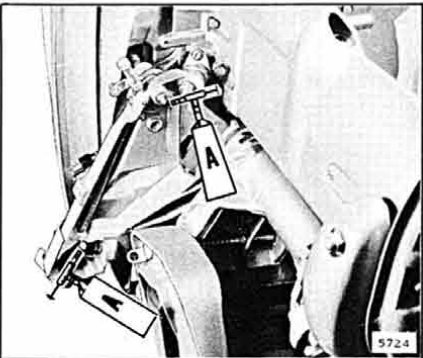


Figure 2-5. Throttle Shaft Bushings and Gears

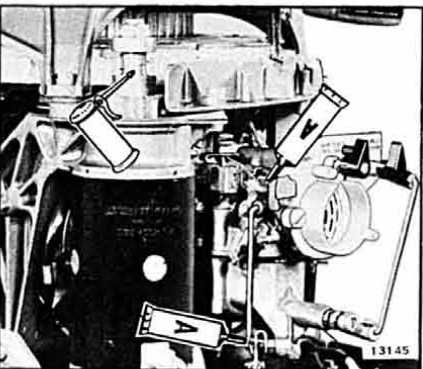


Figure 2-6. Choke Linkage and Starter Pinion Gear Shaft

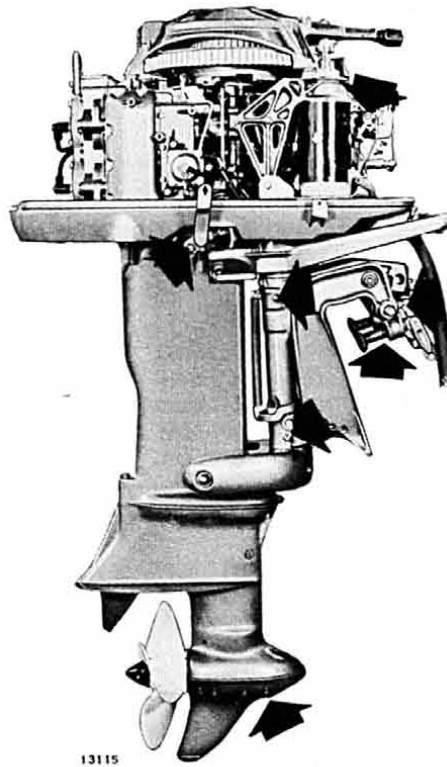


Figure 2-1. Starboard Side, Ski-Twin Electric

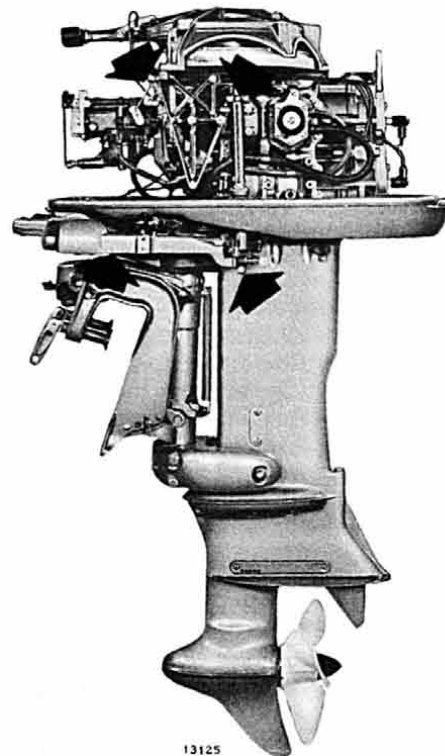


Figure 2-2. Port Side, Ski-Twin

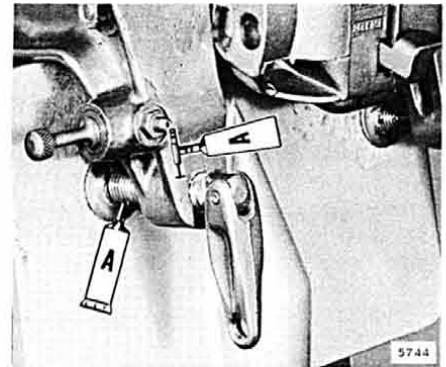


Figure 2-7. Tilt Lock Pin and Clamp Screws

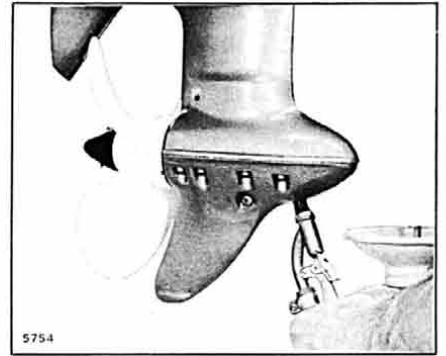


Figure 2-8. Gearcase

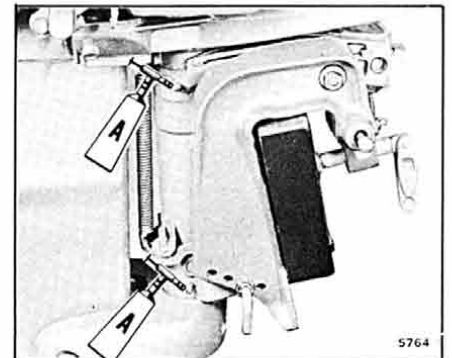


Figure 2-9. Swivel Bracket Fittings and Reverse Lock

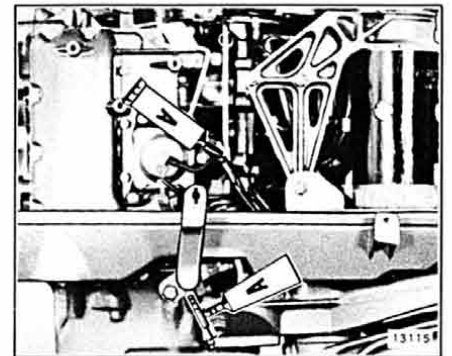


Figure 2-10. Gear Shift Lever Shaft and Lockout