

LUBRICATION POINTS

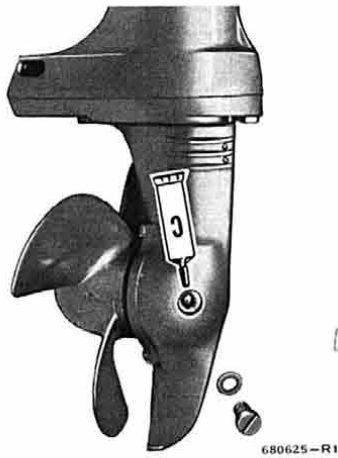


Figure 2-2. Gearcase Lubrication

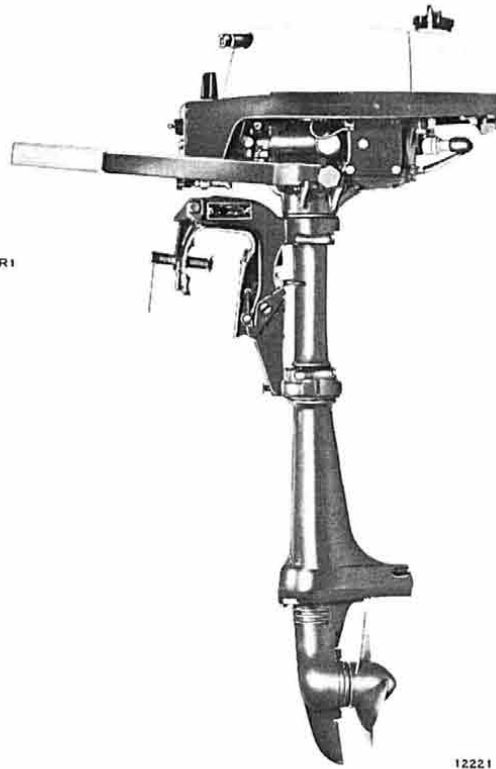


Figure 2-1. Port Side

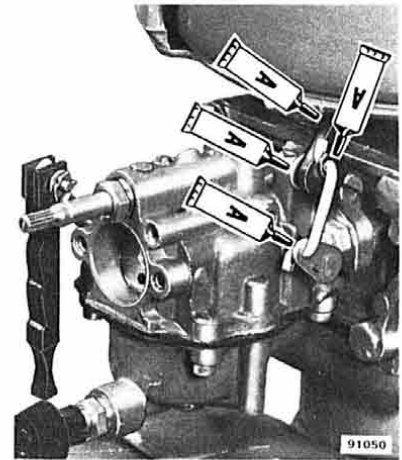


Figure 2-4. Magneto Cam, Carburetor and Choke Lubrication

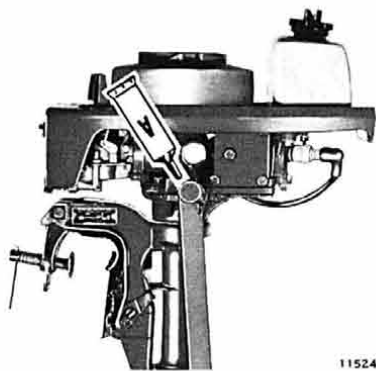


Figure 2-3. Steering Handle Lubrication

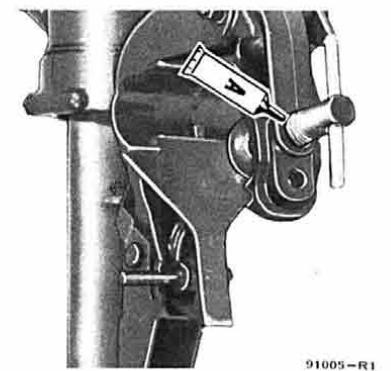


Figure 2-5. Clamp Screw Lubrication