

LUBRICATION POINTS

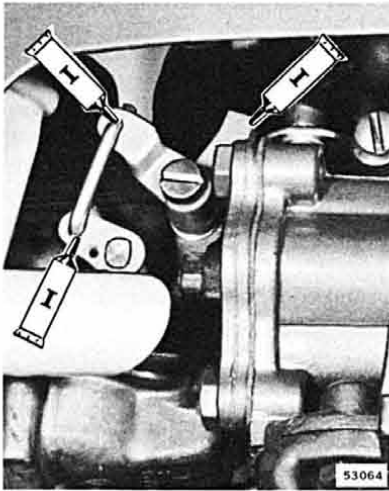


Figure 2-2. Throttle Cam and Carburetor Linkage Lubrication

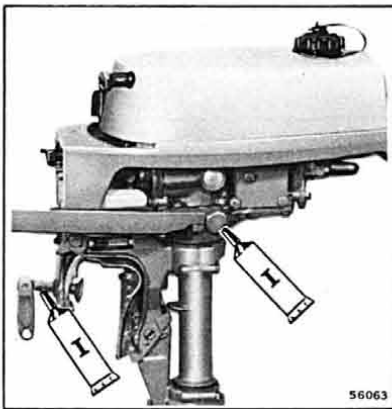


Figure 2-3. Steering Handle Pivot and Clamp Screw Lubrication

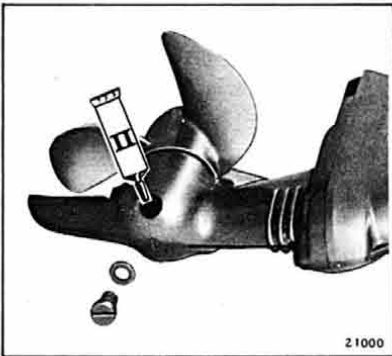


Figure 2-4. Gearcase Lubrication.

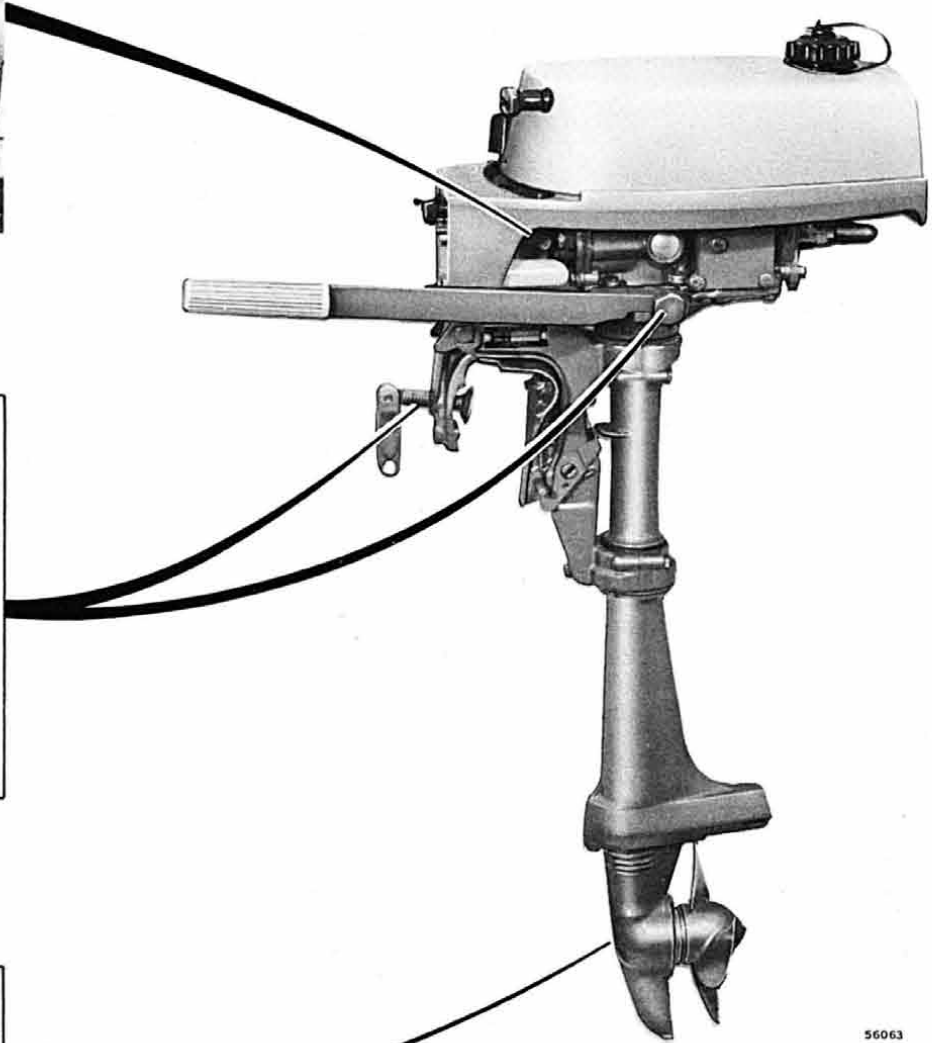


Figure 2-1. Port Side