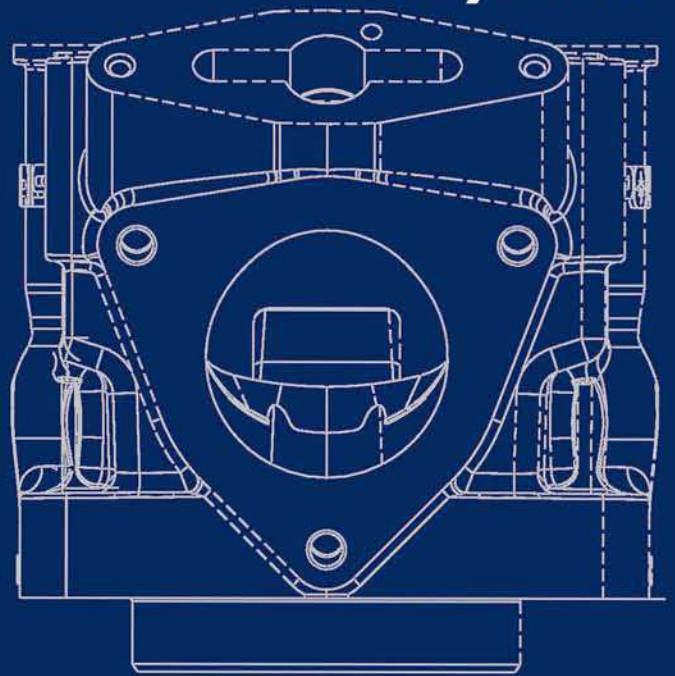
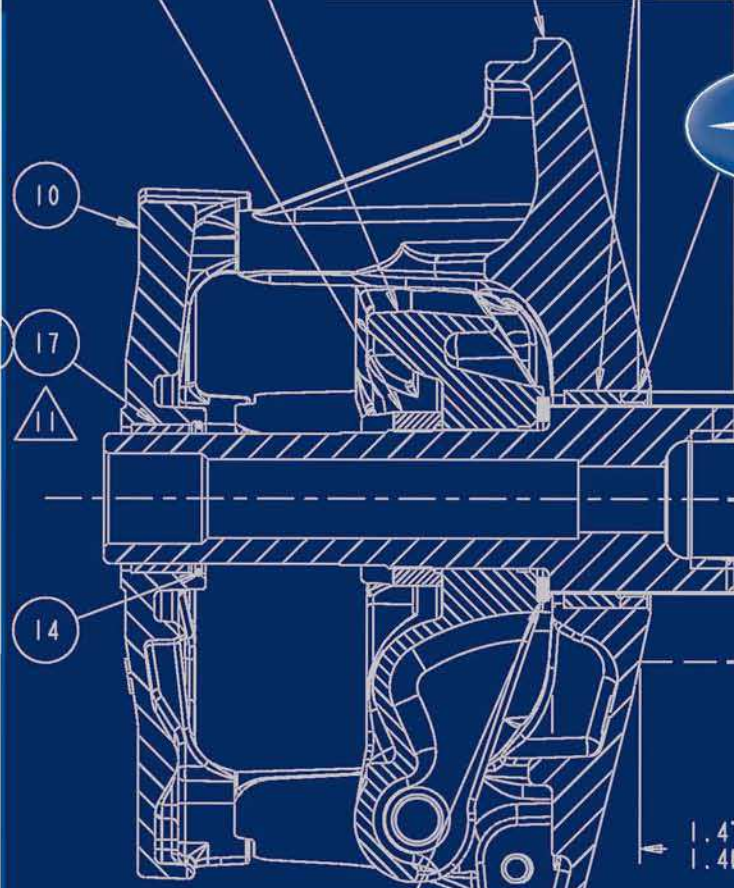




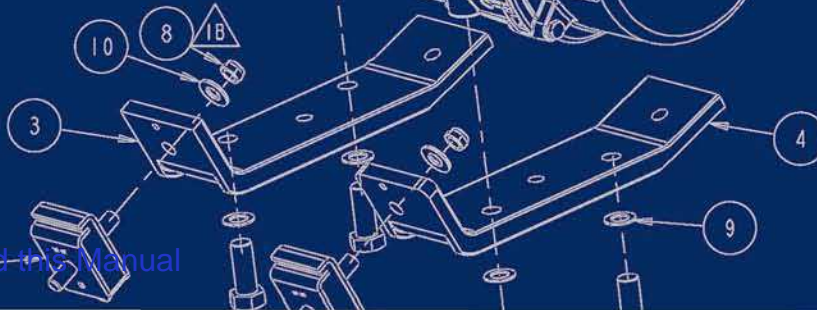
**POLARIS**<sup>®</sup>  
The Way Out.



# 2004 TOURING

# SERVICE MANUAL

18 16 19 9



340 TOURING  
TRAIL TOURING  
SPORT TOURING  
600 CLASSIC TOURING  
700 CLASSIC TOURING  
800 CLASSIC TOURING  
WIDETRAK LX

PN 9918584