

Section 07 REAR SUSPENSION

Sub-Section 03 (IMPROVED C-7 SUSPENSION)

Position notch in outer spacer forward and inward onto the rear axle.

10,12,13,14,15, Screw

Clean all screw threads and axle hole threads. Prior to assembly, apply low temperature grease (P / N 413 7061 00) on axles and Loctite 271 (P / N 413 7074 00) on screw threads.

11, Elastic Stop Nut

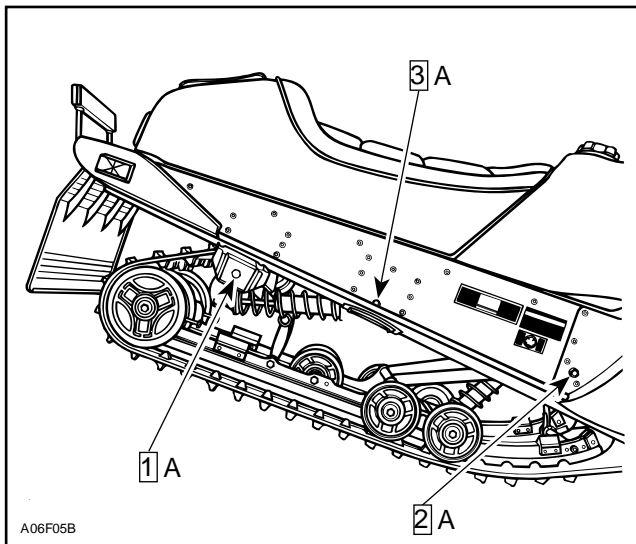
Inspect for damage and replace as required.

INSTALLATION

▼ **CAUTION** : Close fuel shut-off valve(s) before lifting vehicle.

Lift rear of vehicle off the ground about 850 mm (33-1/2 in). Install assembled suspension into track with front portion first. Insert rear portion of suspension into track.

Bolt suspension to tunnel following sequence and torque values as follows.



TYPICAL

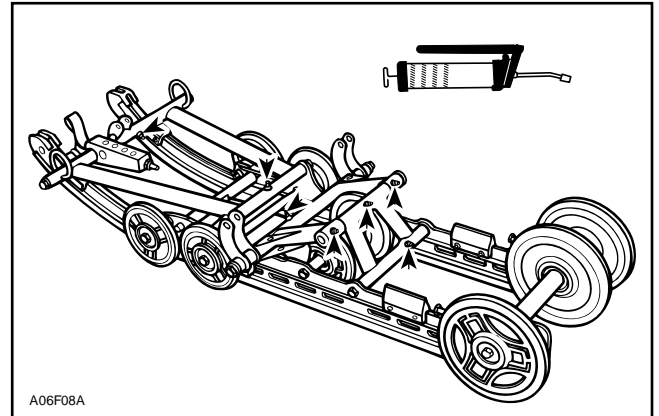
A. 48 N•m (35 lbf•ft)

16, Grease Fitting

Lubricate until grease appears at joints using low temperature grease (P / N 412 7061 00) :

- Front arm : upper and lower axles.
- Rear arm : upper and lower axles.
- Rear shackle.

○ **NOTE** : There are 7 lubrication points.

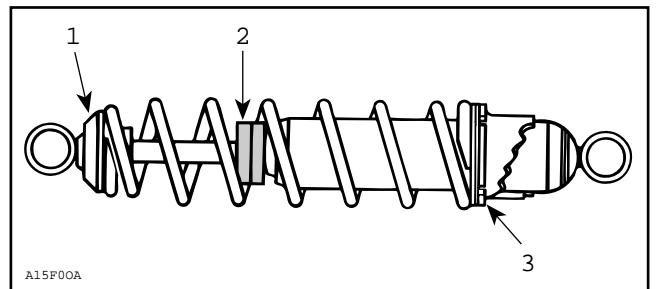


TYPICAL

SHOCK ABSORBER SPRING REPLACEMENT

◆ **WARNING** : Do not attempt to dismantle a shock absorber spring without using the proper spring compressor. Do not apply heat or flame to the rear gas pressurized shocks.

○ **NOTE** : Before attempting to compress the spring, push the rubber bumper against the shock body and place the adjuster ring at its lowest position.



TYPICAL

1. Spring collar
2. Bumper against shock body
3. Lowest position

Install spring compressor (P / N 529 0271 00) in a vise. Mount shock in it and turn shock so that spring coils matched spring compressor.

Close and lock bar. Adjust handle horizontal by changing position of clevis pin.

Push down on handle until it locks. Remove spring stopper then release handle.